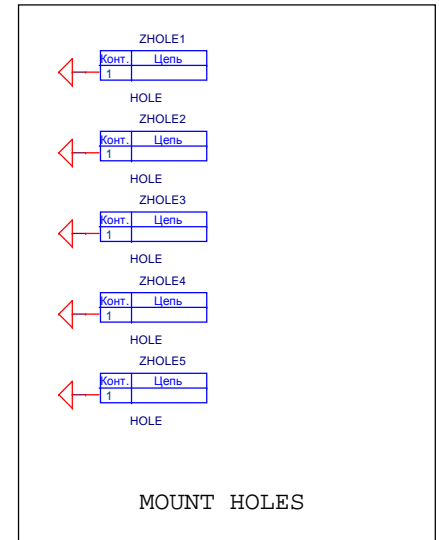
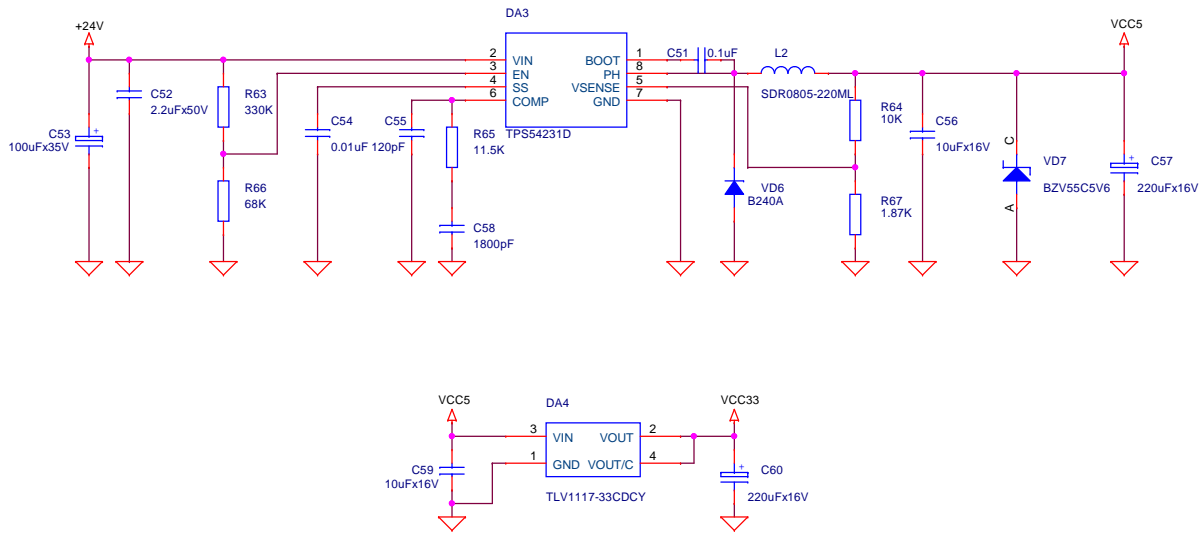
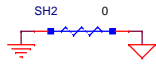
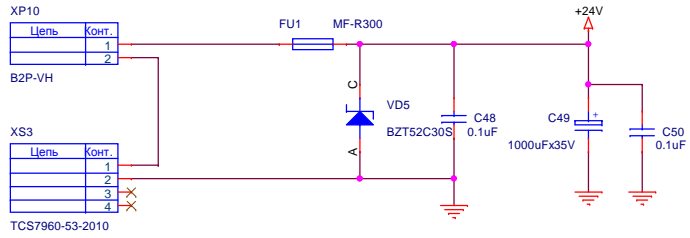
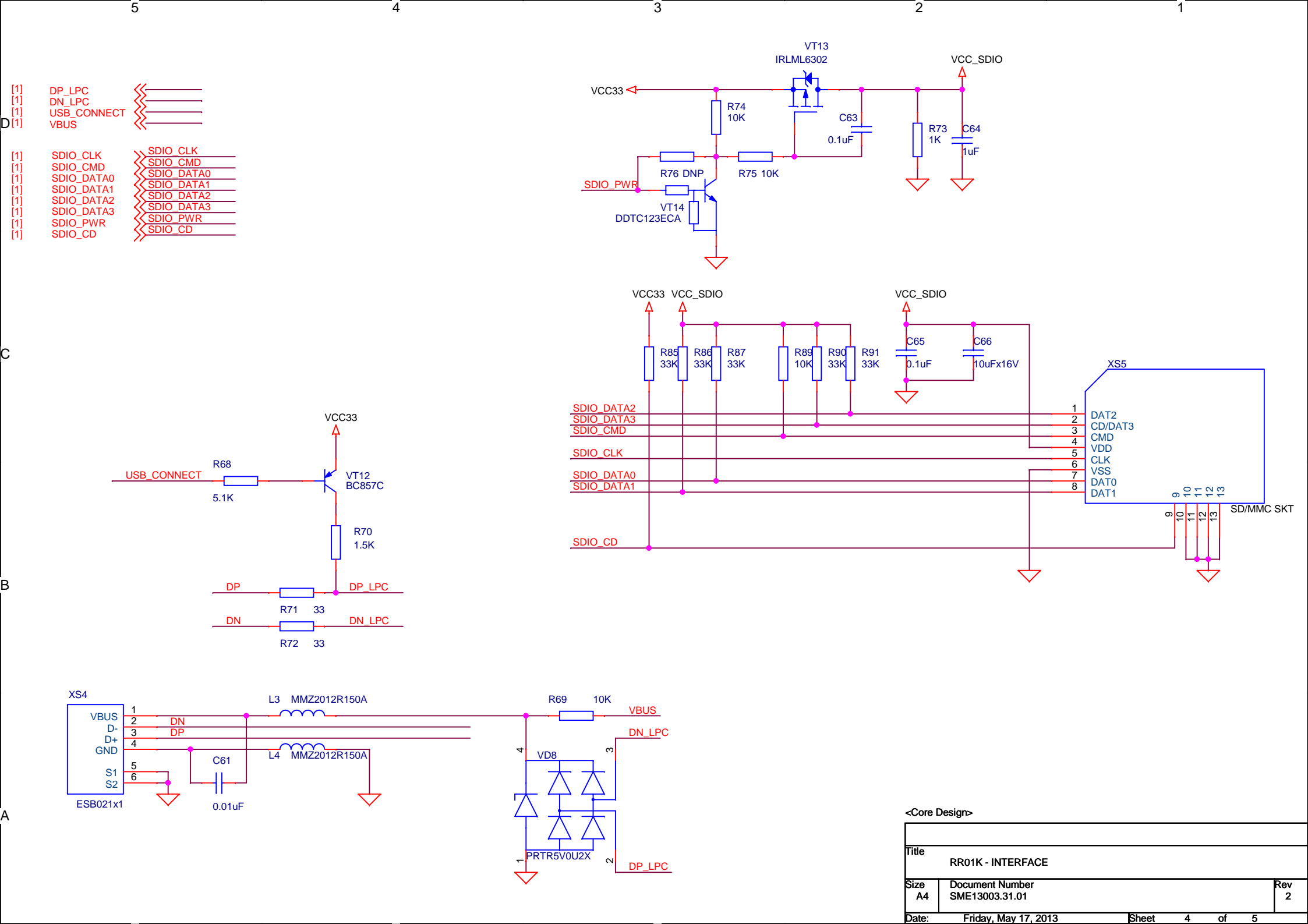


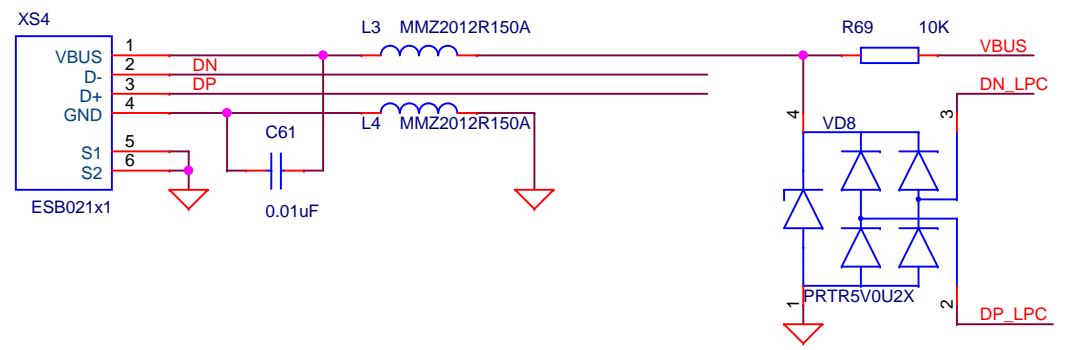
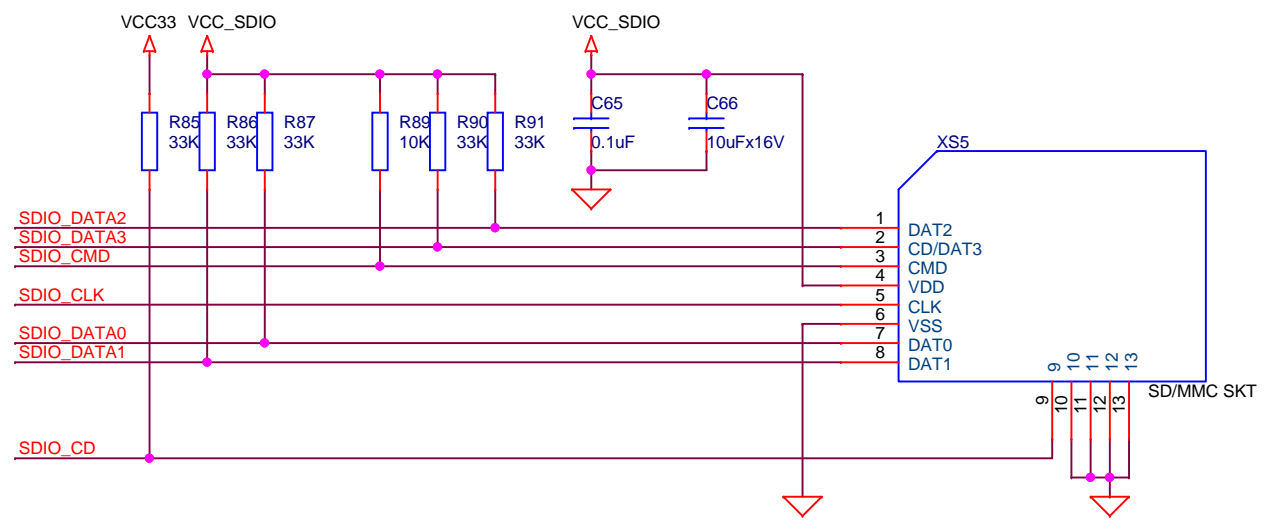
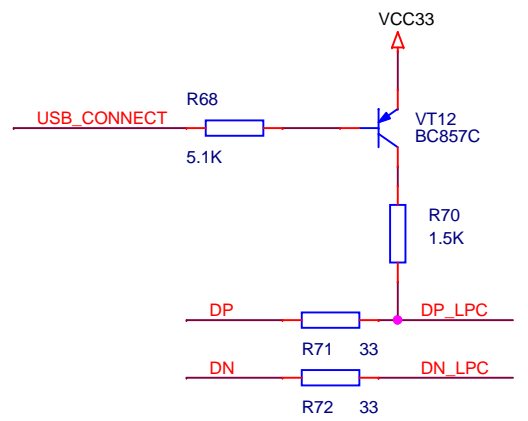
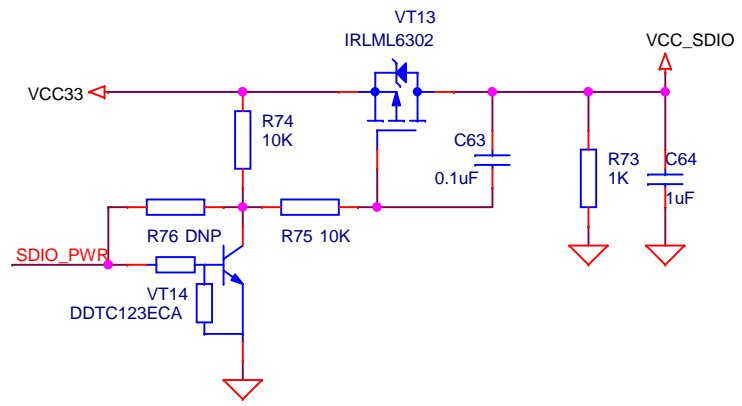
**<Core Design>**

Title RR01K - THERMAL PRINTER		
Size A3	Document Number SME13003.31.01	Rev 2
Date: Friday, May 17, 2013	Sheet 2	of 5



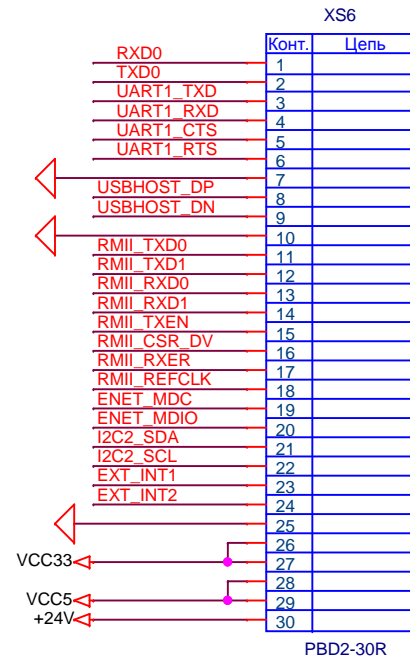
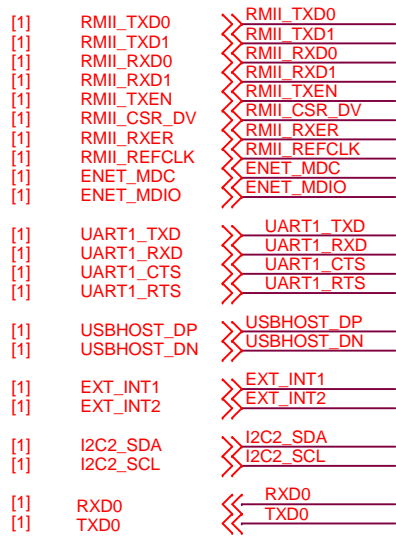


- [1] DP\_LPC
- [1] DN\_LPC
- [1] USB\_CONNECT
- [1] VBUS
  
- [1] SDIO\_CLK
- [1] SDIO\_CMD
- [1] SDIO\_DATA0
- [1] SDIO\_DATA1
- [1] SDIO\_DATA2
- [1] SDIO\_DATA3
- [1] SDIO\_PWR
- [1] SDIO\_CD



<Core Design>

Title		
RR01K - INTERFACE		
Size	Document Number	Rev
A4	SME13003.31.01	2
Date:	Friday, May 17, 2013	Sheet 4 of 5



Можно переставлять для облегчения разводки

<Core Design>

Title		
RR01K - INTERFACE BOARD CONNECTOR		
Size	Document Number	Rev
A4	SME13003.31.01	2
Date:	Friday, May 17, 2013	Sheet 5 of 5